

BUTTERFLY VALVE CK



Butterfly valve CK with pneumatic actuator.

TECHNICAL DATA

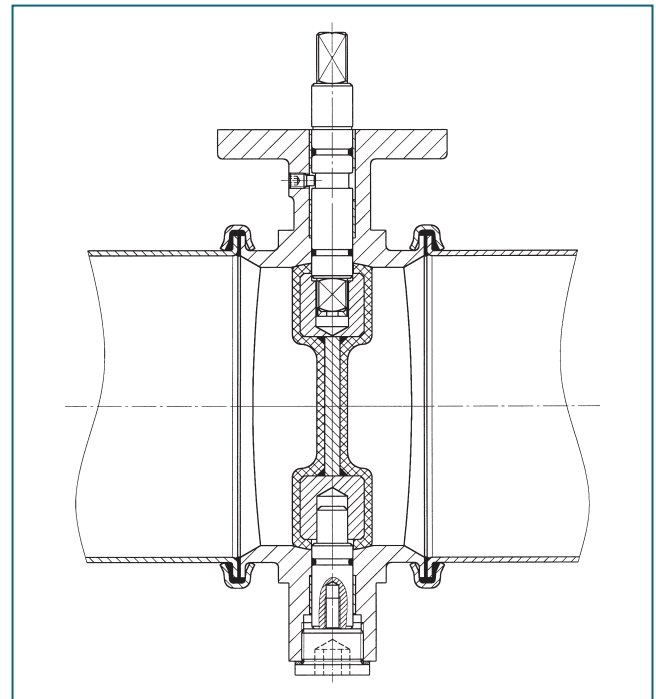
Nominal diameter:	DN 80 - DN 250
Face to face:	EBRO works standard
Top flange:	EN ISO 5211
Tightness check:	EN 12266 (Leakage rate A) ISO 5208, Category 3
Temperature range:	-10°C to +60°C (depending on pressure and media)
Operating pressure:	max. 1 bar
Body:	Aluminium
Disc:	ball contour 3 mm NBR-white coated 90° Shore A (FDA harmless) overdimension to body seat 0,3 mm DN 100 0,35 mm DN 250
Shaft:	AISI 316 (1.4401) alternative upon request

FEATURES

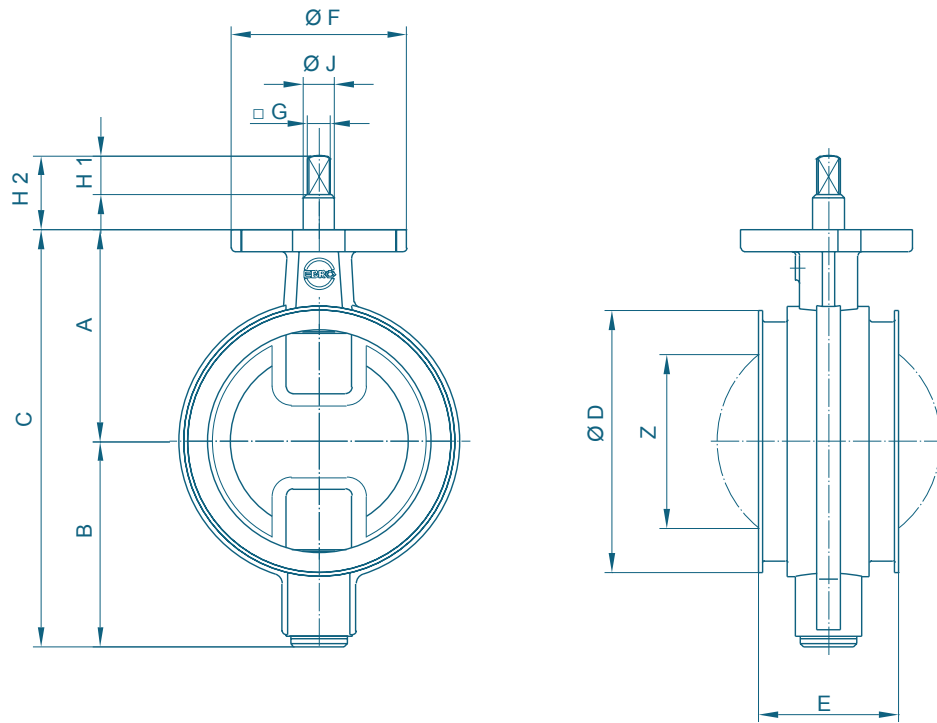
- Wafer pattern butterfly valve with centrally mounted disc
- Body with mutual bond for clamp ring connection
- The inside contour is spherically machined
- Through-going seat without any edges
- Low consumption
- Fast and easy dismantling
- Maintenance-free

GENERAL APPLICATIONS

- Food industry
- Bulk goods



BUTTERFLY VALVE CK



Butterfly valve type CK

DN [mm]	Size [in]	Dimensions [mm]											Weight [kg]	
		A	B	C	D	E	F	Flange	G	H1	H2	J		Z
80	3	86	87	173	92	66	65	F05	10	16	30	12	33	0,9
100	4	96	97	193	115	68	65	F05	10	16	30	12	66	1,3
120	5	109	105	214	135	72	90	F07	12	20	38	16	89	1,9
200	8	179	166	345	215	85	90	F07	16	20	38	20	175	5,8
250	10	206	189	395	265	85	90	F07	16	20	38	20	230	7,7

Subject to change without notice